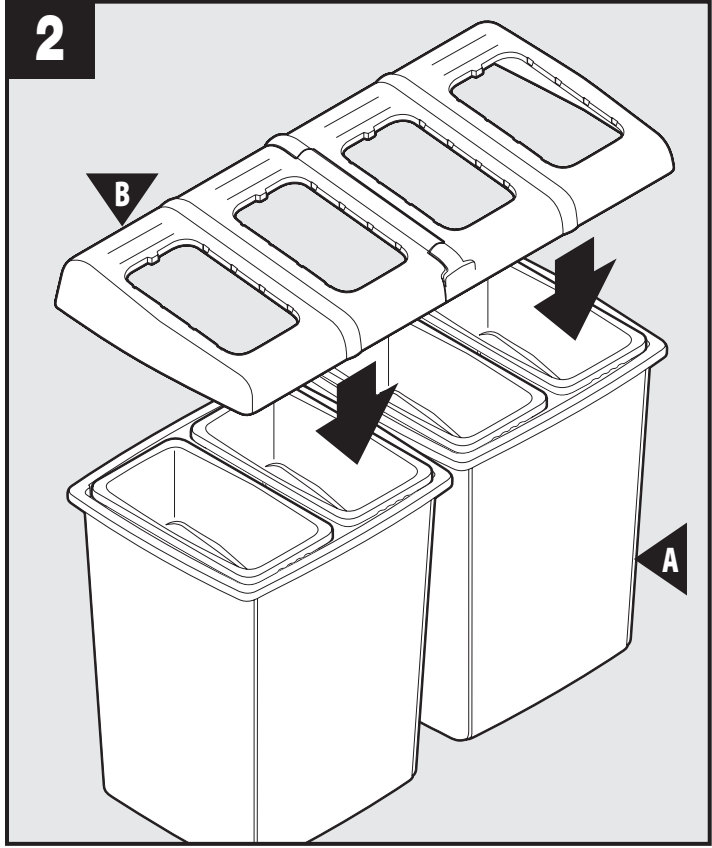
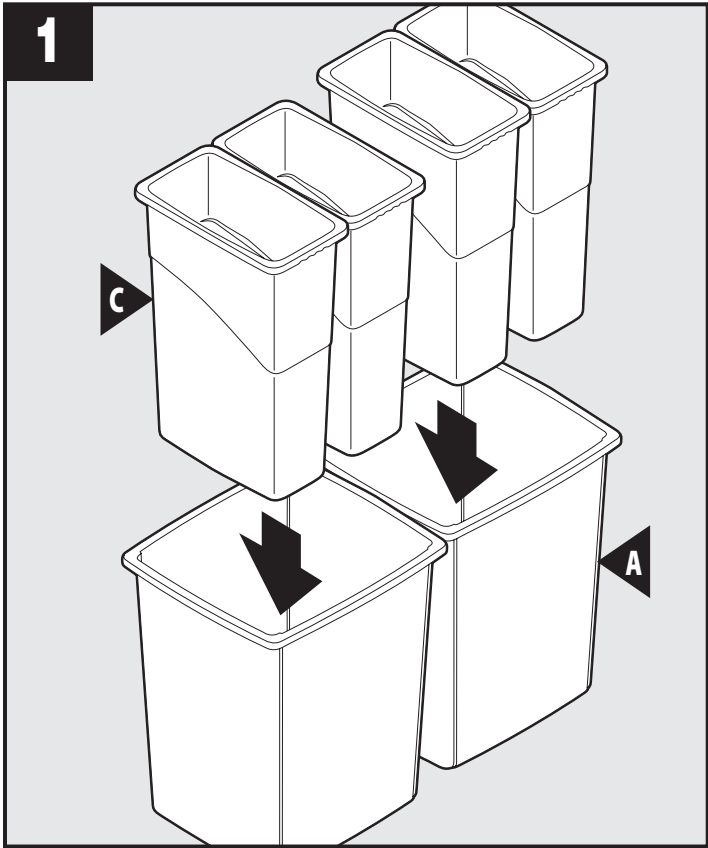
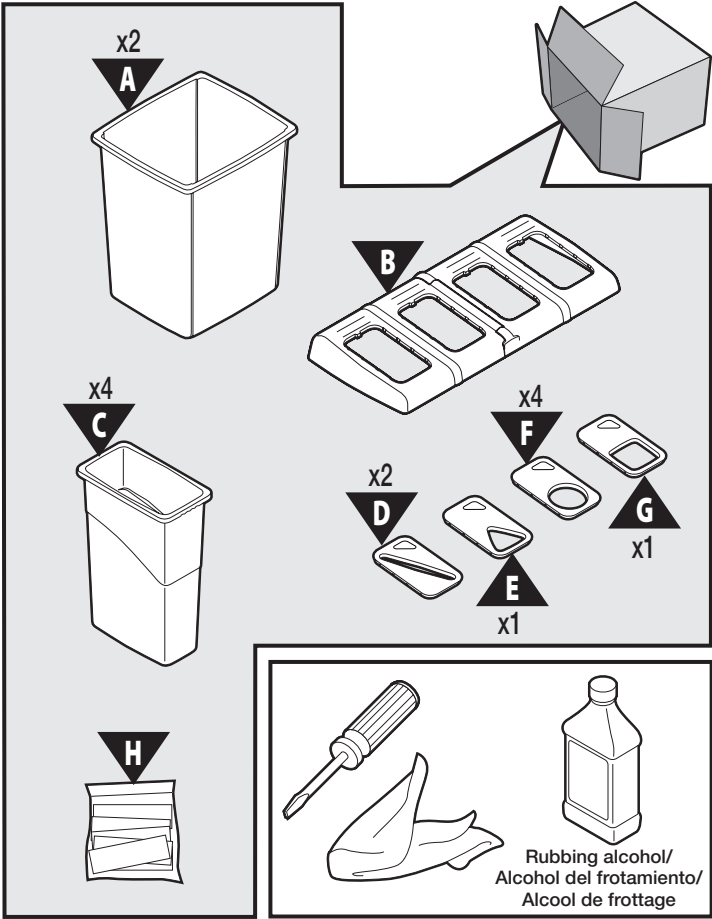
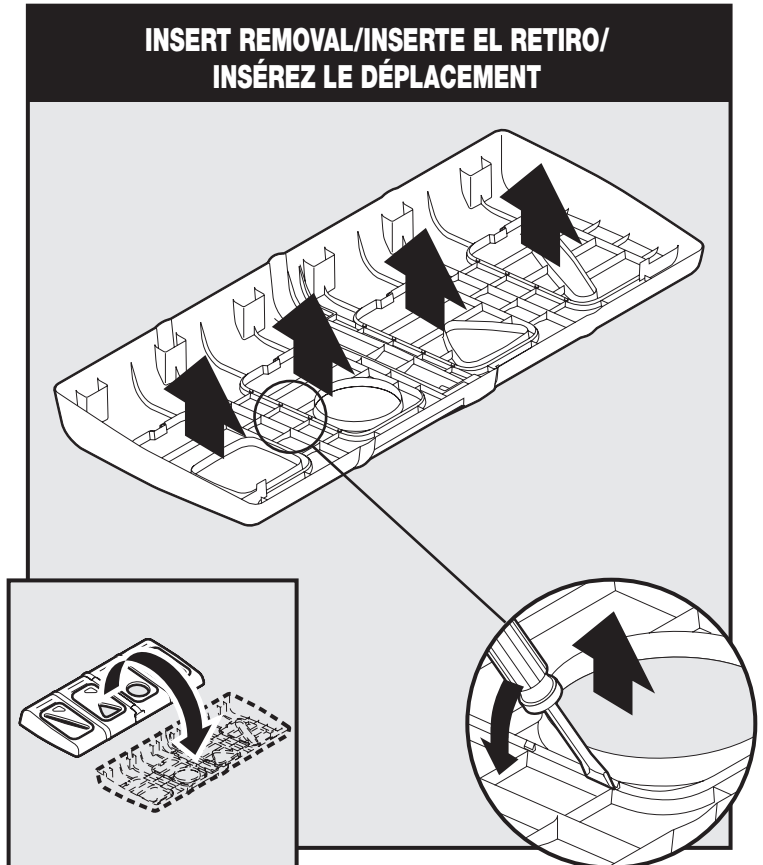
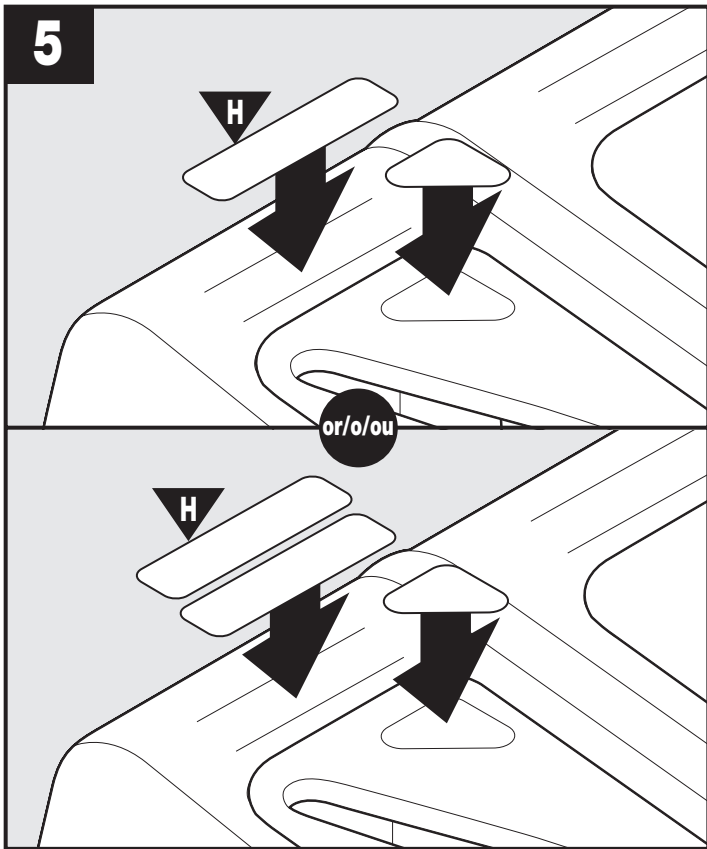
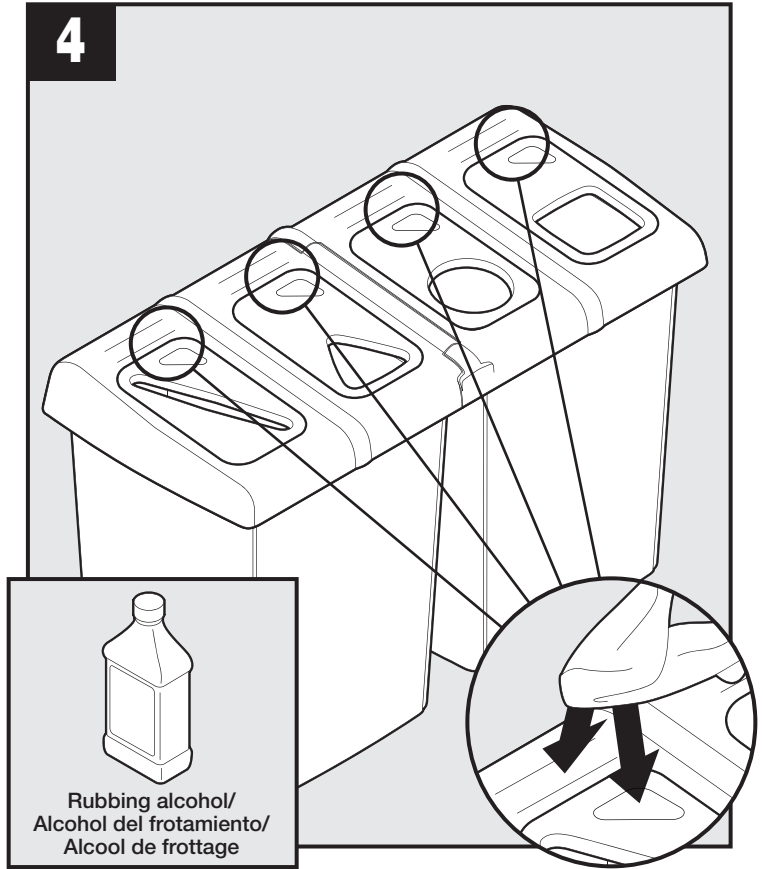
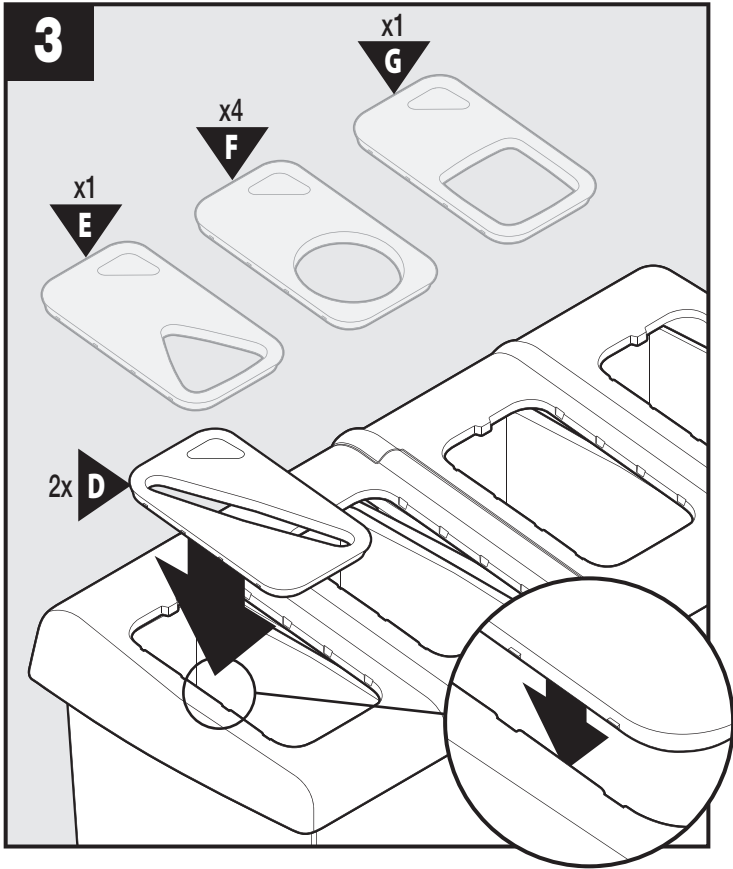


256R





Products manufactured under quality management system registered to ISO 9001:2000  
©2007 Rubbermaid Commercial Products LLC  
A **NewellRubbermaid** Company  
Printed in U.S.A.  
Product # 256R



Rubbermaid Commercial Products LLC  
3124 Valley Avenue  
Winchester, VA 22601 U.S.A.  
Phone: 540-667-8700  
Fax: 540-542-8770  
[www.rubbermaidcommercial.com](http://www.rubbermaidcommercial.com) #71-256R-00